



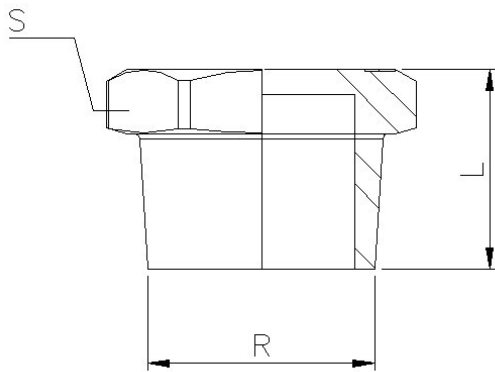
## 316 STAINLESS STEEL 150LB FITTINGS

GENEBRE PART: 0290 HEXAGON PLUG BSP



### SPECIFICATIONS

1	Material AISI 316 (cast)
2	Thread according to DIN 2999
3	Max working pressure 20 BAR (S-150)
4	Temperature range -20°C to + 220°C



### HEXAGON PLUG

REF	SIZE R mm	L mm
0290 02	1/4"	15
0290 03	3/8"	18
0290 04	1/2"	23
0290 05	3/4"	28
0290 06	1"	35
0290 07	1 1/4"	44
0290 08	1 1/2"	50
0290 09	2"	62
0290 10	2 1/2"	77
0290 11	3"	90